



**CRATHERN**  
MACHINERY GROUP, INC.

## Produce High Quality Slipcases

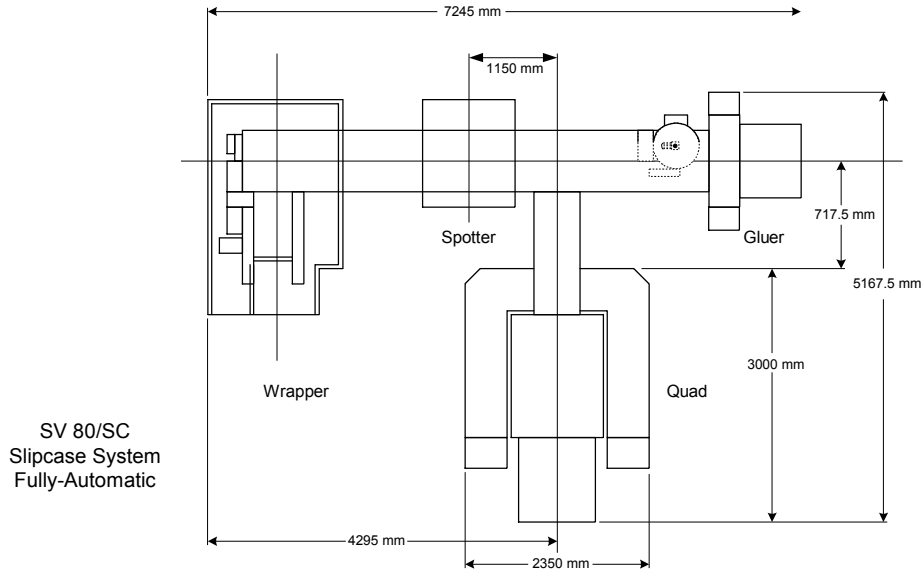
Die cut boards and cover  
material produce  
completely  
finished slipcases.



**CMG** **SV 80/SC**  
**Slipcase Wrapping System**

# Model: SV 80/SC Slipcase Wrapping System

# SPECIFICATIONS



## Size Range:

### LABEL SIZE:

Minimum: 310 mm x 380 mm\*

Maximum: 550 mm x 725 mm\*

### FINISHED BOX: (Height/Depth/Fill)

Minimum: 55 mm x 150 mm x 100 mm\*

Maximum: 350 mm x 290 mm x 60/80/100 mm\*

*\*Minimum/Maximum sizes are guidelines only.  
Consult Sales Representative*

## Operators Needed:

One operator and one material handler.

## Production Speed:

Up to 18 cycles per minute depending on size, product, material and operator skill.

## Construction Materials:

One piece die cut boards. Cover material: high quality cloth or preprinted paper. Outer surface of material must be acceptable for hot animal glue.

Advertised machine production speeds and product quality are based on materials selected by Crathern or actual production reported by our customers. The selection of materials used by each customer is their sole responsibility and will directly effect the product quality and output of the machine.

Due to continuous product improvements, we reserve the right to change or discontinue specifications, designs and manufacturing locations shown in this brochure without notice and without incurring obligation.

date of issue 02/02

## Energy Requirements:

ELECTRICAL: 25 kva, 3 Phase, 50/60 Hz  
Any Voltage from 208 to 600

Customer to provide CMG with voltage requirements

AIR: 800 L/min @ 5.6 kg/cm<sup>2</sup> (6 Bar)

WATER: 1/2" cold water line at normal pressure; no drain required.

## Standard Equipment:

Automatic sheet gluer, suction conveyor belt, glue tank, quad with hot melt glue applicator, automatic spotter, and wrapper.

## Optional Equipment:

Paper jam detection, conveyor support stand, slipcase stomper.

## Shipping:

WEIGHT: 3800 kg (uncrated)  
4400 kg (crated)

**PERONDI** S.R.L.

## FOR DETAILS CONTACT:

Corporate Headquarters: New Hampshire ☎: 603-314-0444

Web Site: [www.crathern.com](http://www.crathern.com)

Branches: Belgium ☎: 32.(0)9.369.34.55

Italy ☎: 39 (02) 6192287 or 6191637

☎: (800) 746-4111 (USA ONLY)

